

# ROCHDALE MUSIC SERVICE

School Based

## Musical Instrument Tuition

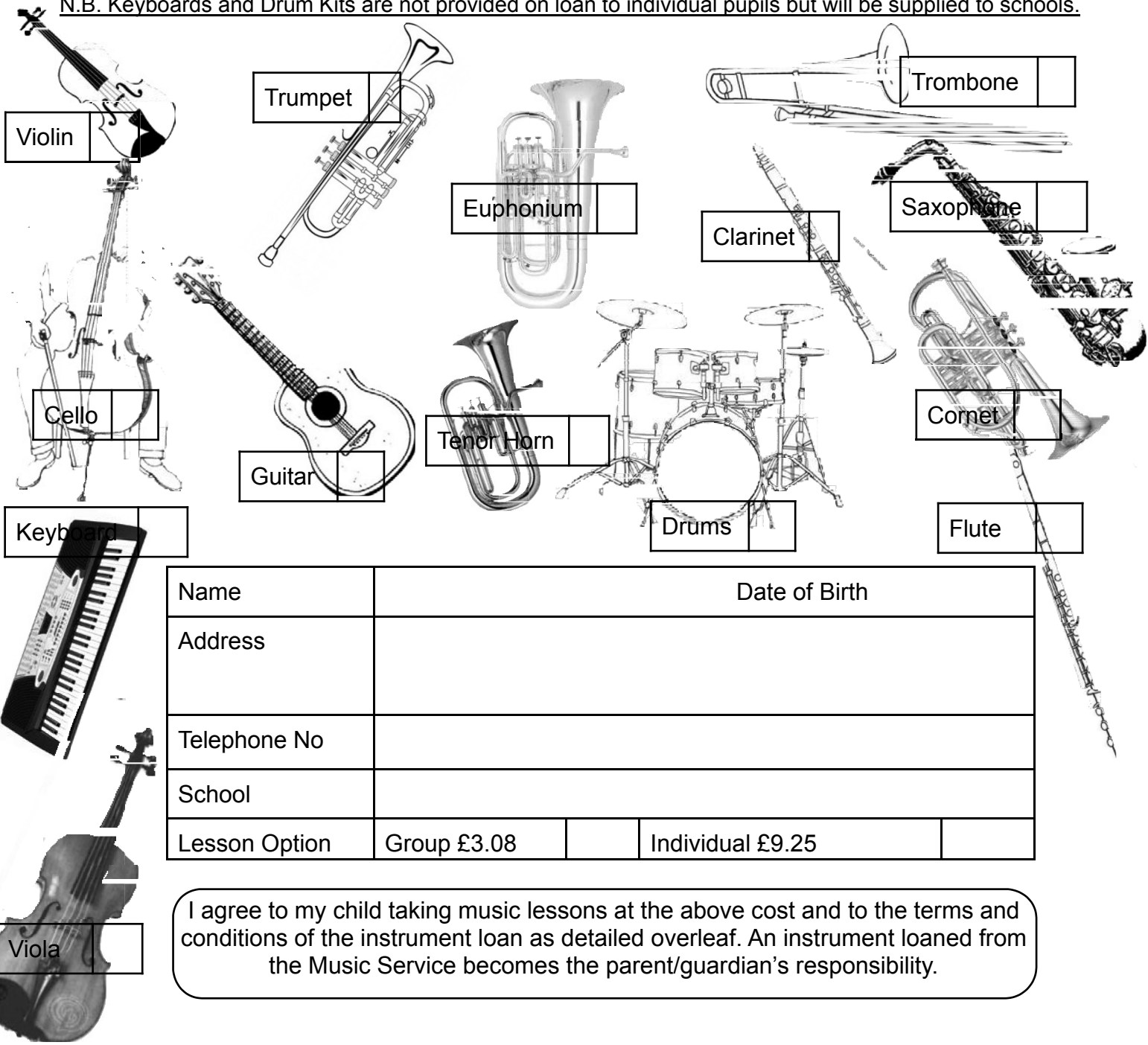
Summer Term 2017 13 weeks

Group of 4 for 20 minutes (£3.08 per pupil per week) or Individual 15 minutes (£9.25 per week)

Please indicate your choice of instrument, putting your favourite first, (i.e., 1, 2, 3). Instrumental lessons will only be available providing 4 or more requests for the same instrument are received. If lessons cannot be offered, you will be given the opportunity to attend lessons at the music centre.

Do you already own an instrument? **YES/NO** Which one?.....

N.B. Keyboards and Drum Kits are not provided on loan to individual pupils but will be supplied to schools.



Name	Date of Birth		
Address			
Telephone No			
School			
Lesson Option	Group £3.08	Individual £9.25	

I agree to my child taking music lessons at the above cost and to the terms and conditions of the instrument loan as detailed overleaf. An instrument loaned from the Music Service becomes the parent/guardian's responsibility.

Parent/Guardian's Signature.....

**Office Use Only**

Authority  
School  
Private

Instrument Number		Collected/Delivered	
Instrument Size		On Database	
MALE/FEMALE		Teacher	
Ethnicity		Week Commenced	
3A Posted		Contract Option	
Instrument at (shelf)		Music Centre Option	

Signed \_\_\_\_\_ Date \_\_\_\_\_

## **CONDITIONS FOR LOAN OF A MUSICAL INSTRUMENT**

These conditions apply to this or any subsequent instrument loaned by Rochdale Music Service.

**1. The instrument is loaned for the sole use of the pupil named overleaf. The instrument must not be exchanged with another pupil unless authorised by the Teacher and Rochdale Music Service informed.**

**2. Provision of small items at own expense.**

- Stringed Instrument pupils are required to replace broken strings and resin.
- Woodwind instrument pupils are required to replace reeds and supply lubricants and cleaning materials.
- Brass instrument pupils are required to supply lubricants, mutes where necessary and cleaning materials.
- Percussion instrument pupils are required to supply drumsticks.

**3. Loss or Damage**

You will be responsible for and indemnify Rochdale Metropolitan Borough Council against loss of or damage to the instrument whilst in your possession however caused and notify Rochdale Music Service immediately of any such loss or damage.

- (a) You must not repair or attempt to repair the instrument in the event of damage or breakage but must at once notify the music service.
- (b) Damage or breakage to an instrument caused through fair wear and tear will be repaired at the expense of Rochdale Music Service.
- (c) In any case other than clause 3(b) above, the repair will be at your expense.
- (d) At the conclusion of tuition the instrument should be returned personally to Rochdale Music Service and not the pupil's school, even though the instrument may have been delivered to the school by Rochdale Music Service at the start of tuition.

**4. Insurance of the Instrument.**

Rochdale Music Service does not insure instruments on loan: therefore you may wish to indemnify yourself against such loss or damage. Some individual schools carry a block insurance policy, which covers all instruments used in that school.

**5. Extent of Loan**

When a pupil ceases full time education at school, the instrument must be returned to Rochdale Music Service, not the school they attended.

**6. Transfer between schools in Rochdale**

Where a pupil transfers between schools, the instrument may be taken to the new school providing Rochdale Music Service provides tuition at the new school.

**7. Purchase of Instruments.**

Rochdale Music Service does not sell instruments but pupils, when proficient, are encouraged to own an instrument. Information is available giving details of where to purchase an instrument. Where another one from any source replaces a Music Service instrument, the Music Service instrument must be returned for re-allocation.

The Service does offer an Assisted Purchase scheme when buying your own instrument. This deducts the cost of VAT. For more information please call 01706 926750.